

▼ Shown: W4206X hexagon cassette with W4000PX drive unit



Ex II 2 GD T4

Safety and Performance

- Superior strength to size ratio provides easy access to difficult to reach applications without sacrificing endurance
- 30° rotation angle and rapid return stroke provide fast operation
- Tough manifold design with added safety feature for enhanced operator safety.

Simplicity

- Fast release drive unit enables rapid exchange of cassettes, no tools required
- Quick and easy disassembly for maintenance without special tools
- Drive units include robust handle which mounts on both sides of cassettes to allow for extra maneuverability.

Versatility

- Standard with enhanced tilt and swivel TSP300 manifold for horizontal and vertical maneuverability, with greater durability ¹⁾
- X-Edition drive units, cassettes and most accessories are compatible with standard edition tools ¹⁾
- Drive unit compatible with UltraSlim W-SL cassettes.

Accuracy

- Constant torque output provides accuracy of $\pm 3\%$ across full stroke.

¹⁾ TSP300 is designed for X-Edition tools only, and is not compatible with previous edition tools. For replacement components for existing tools, refer to repair sheet on www.enerpac.com



Two Handle Styles

Robust angled positioning handle comes standard with every W-Series (X-Edition) drive unit.

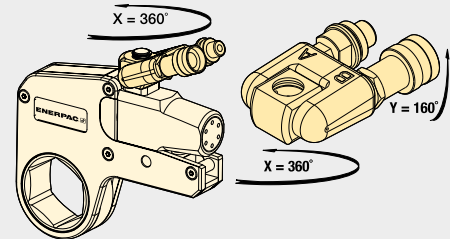
Compatible with W-Series (X-Edition) Cassettes	Model Nr. Angled positioning handles (standard)	Model Nr. Straight positioning handles (optional)
W2000PX, W4000PX	SWH6A	SWH6S
W8000PX, W15000PX	SWH10A	SWH10S
W22000PX, W35000PX	SWH10EA ²⁾	

²⁾ SWH10EA is an eyebolt handle.



TSP300 Tilt & Swivel Manifold

Standard included on W-PX models: the TSP300 tilt and swivel manifold with robust interlocking design provides 360° X-axis rotation and 160° Y-axis rotation.



CE - ATEX declared

All W-Series X-edition drive units are CE - ATEX declared. All W-Series X-edition hexagon cassettes are CE - ATEX declared and are shipped complete with a calibration certificate.

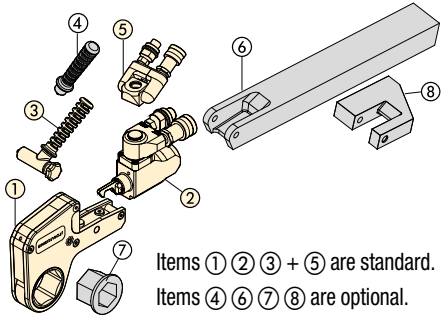
CE **Ex** II 2 GD T4



Back-Up Spanners, BUS-Series

To be used to stop the back nut from turning during make up or break out. Two hexagon sizes in one tool.

Double-Acting Hydraulic Hexagon Torque Wrenches, X-Edition



- ① Hexagon Cassette (pages 230-237)
- ② Drive Unit (page 229)
- ③ Angled Positioning Handle (page 228)
- ④ Straight Positioning Handle (page 228)
- ⑤ Pro-Series Swivel TSP300 (page 228)
- ⑥ Extended Reaction Arm (page 238)
- ⑦ Reducer Insert (pages 230-237)
- ⑧ Reaction Paddle (page 238)

Items ① ② ③ + ⑤ are standard.
Items ④ ⑥ ⑦ ⑧ are optional.

W Series X-Edition



Nominal Torque at 690 bar:

47.454 Nm

Hexagon Range:

30 - 155 mm / 1 1/16 - 6 1/8"

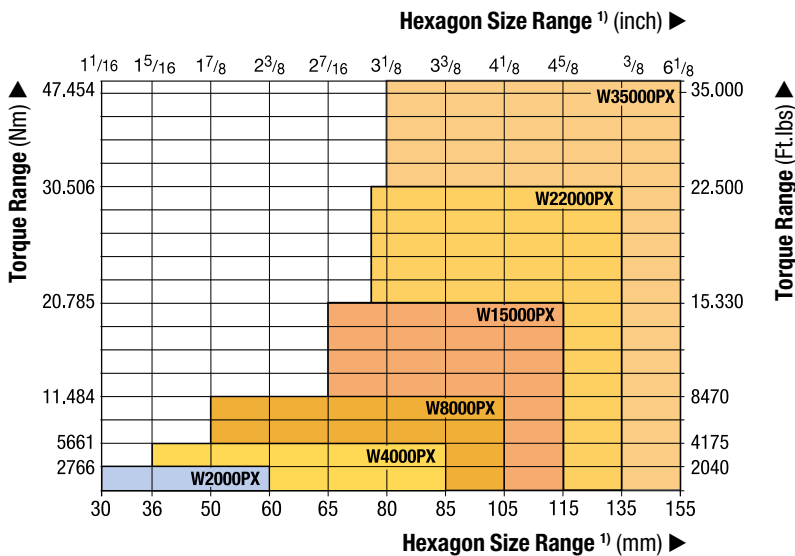
Nose Radius:

31 - 115 mm

Maximum Operating Pressure:

690 bar

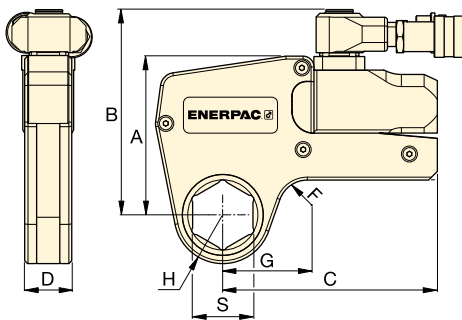
DRIVE UNIT AND INTERCHANGEABLE CASSETTE SELECTION



Torque Wrench Pump Selection Matrix

For optimum speed and performance see the torque wrench and pump matrix.

Page: **273**



These rigid steel wrenches with low-profile interchangeable hexagon cassettes guarantee durability and maximum versatility in bolting applications. ▶



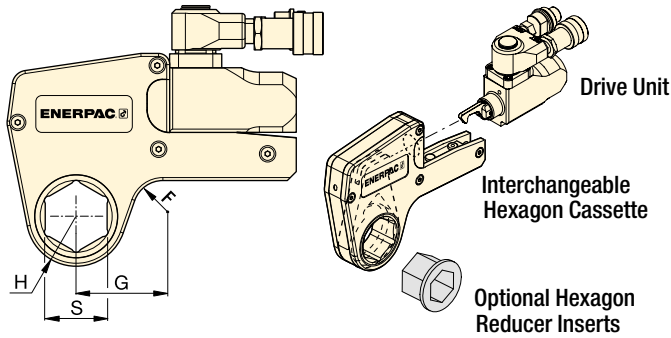
▼ SELECTION CHART HYDRAULIC DRIVE UNIT

Hexagon Range *		Nominal Torque at 690 bar (10,000 psi)		Drive Unit Model Number **	Minimum Torque at 69 bar (1000 psi)		Dimensions (inch) (see pages 230-237 for dimensions G, H and S)					Weight (lbs) ***	Dimensions (mm) (see pages 230-237 for dimensions G, H and S)					Weight (kg) ***
(inch)	(mm)	(Ft.lbs)	(Nm)		(Ft.lbs)	(Nm)	A	B	C	D	F		A	B	C	D	F	
1 1/16 - 2 3/8	30 - 60	2040	2766	W2000PX	204	276	4.29	5.55	5.83	1.26	0.79	3.1	109	141	148	32	20	1,4
1 5/16 - 3 3/8	36 - 85	4175	5661	W4000PX	417	566	5.35	6.57	7.01	1.61	0.79	4.5	136	167	178	41	20	2,0
1 7/8 - 4 1/8	50 - 105	8470	11,484	W8000PX	847	1148	6.77	8.07	8.19	2.07	0.98	6.6	172	205	208	53	25	3,0
2 7/16 - 4 5/8	65 - 115	15,330	20,785	W15000PX	1533	2078	8.15	9.45	9.96	2.48	0.79	10.7	207	240	253	63	20	5,0
2 15/16 - 5 3/8	75 - 135	22,500	30,506	W22000PX	2250	3050	8.94	10.46	11.68	3.03	1.38	17.0	227	266	297	77	35	7,7
3 1/8 - 6 1/8	80 - 155	35,000	47,454	W35000PX	3500	4745	10.54	11.94	13.60	3.57	1.98	26.4	268	301	345	91	50	11,4

* With in-line reaction foot.

** To order a W-series wrench without the TSP300 swivel, remove suffix "P" from the model number. Example: **W2000X**.

*** Weight of drive unit without hexagon cassette.



Optional Hexagon Reducers Inserts

Available upon request and made to order.

Example: Model Nr. **W2206R114**
 HEX REDUCER 2 3/8" (60MM) x 1 1/4" (32MM) A/F

W Series X-Edition



Hexagon Cassette Range:
1 1/16 - 2 3/8 inches

Hexagon Cassette Range:
30 - 60 mm

Maximum Operating Pressure:
690 bar / 10.000 psi



Hexagon Bolt and Nut Sizes

See the table for hexagon sizes of bolts, nuts and related thread diameters.

▼ SELECTION CHART HEXAGON CASSETTES

Drive Unit Model Number	Hexagon Size ¹⁾ S		Model Number Cassette	Maximum Torque at 690 bar (10.000 psi)		Dim. G (inch)	Nose Radius H (inch)	Nose Radius (lbs)	Dim. G (mm)	Nose Radius H (mm)	Nose Radius (kg)
	(inch)	(mm)		(Ft.lbs)	(Nm)						
	1 1/16	–	W2101X	2040	2766	2.11	1.22	4.19	53,7	31,0	2,1
	1 1/8	–	W2102X	2040	2766	2.11	1.22	4.19	53,7	31,0	2,1
	1 3/16	30	W2103X	2040	2766	2.11	1.22	4.19	53,7	31,0	2,1
	1 1/4	32	W2104X	2040	2766	2.11	1.22	4.19	53,7	31,0	2,1
	1 5/16	–	W2105X	2040	2766	2.11	1.22	4.48	53,7	31,0	2,1
	1 3/8	–	W2106X	2040	2766	2.11	1.22	4.43	53,7	31,0	2,1
	1 7/16	36	W2107X	2040	2766	2.11	1.22	4.37	53,7	31,0	2,1
	1 1/2	38	W2108X	2040	2766	2.29	1.32	4.51	58,2	33,5	2,2
	1 9/16	–	W2109X	2040	2766	2.29	1.32	4.44	58,2	33,5	2,2
	1 5/8	41	W2110X	2040	2766	2.29	1.32	4.38	58,2	33,5	2,2
	1 11/16	–	W2111X	2040	2766	2.38	1.44	4.63	60,5	36,5	2,2
	1 3/4	–	W2112X	2040	2766	2.38	1.44	4.57	60,5	36,5	2,2
	1 13/16	46	W2113X	2040	2766	2.38	1.44	4.46	60,5	36,5	2,2
	1 7/8	–	W2114X	2040	2766	2.48	1.54	4.69	63,1	39,0	2,2
	1 15/16	–	W2115X	2040	2766	2.48	1.54	4.64	63,1	39,0	2,2
	2	50	W2200X	2040	2766	2.48	1.54	4.54	63,1	39,0	2,2
	2 1/16	–	W2201X	2040	2766	2.70	1.65	4.83	68,6	41,8	2,3
	2 1/8	–	W2202X	2040	2766	2.70	1.65	4.74	68,6	41,8	2,3
2 3/16	55	W2203X	2040	2766	2.70	1.65	4.64	68,6	41,8	2,3	
2 1/4	–	W2204X	2040	2766	2.55	1.75	4.94	64,8	44,5	2,2	
2 5/16	–	W2205X	2040	2766	2.55	1.75	4.84	64,8	44,5	2,2	
2 3/8	60	W2206X	2040	2766	2.55	1.75	4.72	64,8	44,5	2,2	

¹⁾ See page 411 for table of hexagon sizes of bolts, nuts and related thread diameters.

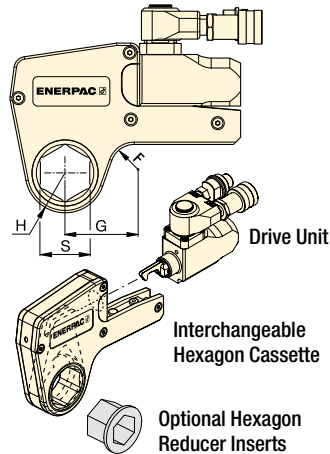
W4000-Series, Hexagon Cassettes



Optional Hexagon Reducers Inserts

Available upon request and made to order. Example: Model Nr. **W4209R200**

HEX REDUCER 2 9/16" (65MM) x 2" (50MM) A/F



W Series X-Edition



Hexagon Cassette Range:

1 5/16 - 3 3/8 inches

Hexagon Cassette Range:

36 - 85 mm

▼ SELECTION CHART HEXAGON CASSETTES

Drive Unit Model Number	Hexagon Size ¹⁾ S		Model Number Cassette	Maximum Torque at 690 bar (10.000 psi)		Dim.		Nose Radius	Dim.	Nose Radius	
	(inch)	(mm)		(Ft.lbs)	(Nm)	G (inch)	H (inch)				G (mm)
W4000PX	1 5/16	—	W4105X	4175	5661	2.40	1.46	8.15	61,0	37,0	3,7
	1 3/8	—	W4106X	4175	5661	2.40	1.46	8.15	61,0	37,0	3,7
	1 7/16	36	W4107X	4175	5661	2.40	1.46	8.15	61,0	37,0	3,7
	1 1/2	—	W4108X	4175	5661	2.40	1.46	8.31	61,0	37,0	3,7
	1 9/16	—	W4109X	4175	5661	2.40	1.46	8.22	61,0	37,0	3,7
	1 5/8	41	W4110X	4175	5661	2.40	1.46	8.15	61,0	37,0	3,7
	1 11/16	—	W4111X	4175	5661	2.52	1.56	8.43	64,0	39,5	3,8
	1 3/4	—	W4112X	4175	5661	2.52	1.56	8.35	64,0	39,5	3,8
	1 13/16	46	W4113X	4175	5661	2.52	1.56	8.25	64,0	39,5	3,8
	1 7/8	—	W4114X	4175	5661	2.63	1.63	8.45	66,7	41,5	3,9
	1 15/16	—	W4115X	4175	5661	2.63	1.63	8.39	66,7	41,5	3,9
	2	50	W4200X	4175	5661	2.63	1.63	8.28	66,7	41,5	3,9
	2 1/16	—	W4201X	4175	5661	2.89	1.73	8.65	73,4	44,0	4,0
	2 1/8	—	W4202X	4175	5661	2.89	1.73	8.53	73,4	44,0	4,0
	2 3/16	55	W4203X	4175	5661	2.89	1.73	8.42	73,4	44,0	4,0
	2 1/4	—	W4204X	4175	5661	2.78	1.83	8.73	70,6	46,5	4,1
	2 5/16	—	W4205X	4175	5661	2.78	1.83	8.61	70,6	46,5	4,1
	2 3/8	60	W4206X	4175	5661	2.78	1.83	8.47	70,6	46,5	4,1
	2 7/16	—	W4207X	4175	5661	3.00	1.95	8.96	76,2	49,5	4,1
	2 1/2	—	W4208X	4175	5661	3.00	1.95	8.86	76,2	49,5	4,1
	2 9/16	65	W4209X	4175	5661	3.00	1.95	8.67	76,2	49,5	4,1
	2 5/8	—	W4210X	4175	5661	3.08	2.07	9.14	78,3	52,5	4,2
	2 11/16	—	W4211X	4175	5661	3.08	2.07	9.03	78,3	52,5	4,2
	2 3/4	70	W4212X	4175	5661	3.08	2.07	8.84	78,3	52,5	4,2
	2 13/16	—	W4213X	4175	5661	3.21	2.18	9.32	81,6	55,3	4,3
	2 7/8	—	W4214X	4175	5661	3.21	2.18	9.17	81,6	55,3	4,3
	2 15/16	75	W4215X	4175	5661	3.21	2.18	8.96	81,6	55,3	4,3
	3	—	W4300X	4175	5661	3.29	2.30	9.51	83,5	58,5	4,4
	3 1/16	—	W4301X	4175	5661	3.29	2.30	9.42	83,5	58,5	4,4
	3 1/8	80	W4302X	4175	5661	3.29	2.30	9.16	83,5	58,5	4,4
	3 3/16	—	W4303X	4175	5661	3.37	2.44	9.92	85,5	62,0	4,5
	3 1/4	—	W4304X	4175	5661	3.37	2.44	9.92	85,5	62,0	4,5
3 5/16	—	W4305X	4175	5661	3.37	2.44	9.92	85,5	62,0	4,5	
—	85	W43085MX	4175	5661	3.37	2.44	9.92	85,5	62,0	4,5	
3 3/8	—	W4306X	4175	5661	3.37	2.44	9.92	85,5	62,0	4,5	

¹⁾ See page 411 for table of hexagon sizes of bolts, nuts and related thread diameters.

W8000-Series, Hexagon Cassettes

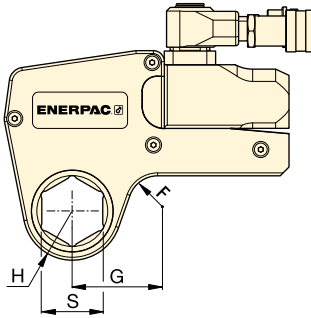
ENERPAC 



Optional Hexagon Reducers Inserts

Available upon request and made to order. Example: Model Nr. **W8302R209**

HEX REDUCER 3 1/8" (80MM) x 2 9/16" (65MM) A/F





W Series X-Edition



Hexagon Cassette Range:

1 7/8 - 4 1/8" / 50 - 105 mm

▼ SELECTION CHART HEXAGON CASSETTES

Drive Unit Model Number	Hexagon Size ¹⁾ S		Model Number Cassette	Maximum Torque at 690 bar (10.000 psi)		Dim. G (inch)	Nose Radius H (inch)		Dim. G (mm)	Nose Radius H (mm)	
	(inch)	(mm)		(Ft.lbs)	(Nm)						
W8000PX	1 7/8	—	W8114X	8470	11.484	3.08	1.77	17.97	78,2	45,0	8,1
	1 15/16	—	W8115X	8470	11.484	3.08	1.77	17.89	78,2	45,0	8,1
	2	50	W8200X	8470	11.484	3.08	1.77	17.75	78,2	45,0	8,1
	2 1/16	—	W8201X	8470	11.484	3.15	1.89	17.52	80,0	48,0	8,1
	2 1/8	—	W8202X	8470	11.484	3.15	1.89	17.36	80,0	48,0	8,1
	2 3/16	55	W8203X	8470	11.484	3.15	1.89	17.22	80,0	48,0	8,1
	2 1/4	—	W8204X	8470	11.484	3.25	2.01	17.92	82,5	51,0	8,1
	2 5/16	—	W8205X	8470	11.484	3.25	2.01	17.76	82,5	51,0	8,1
	2 3/8	60	W8206X	8470	11.484	3.25	2.01	17.59	82,5	51,0	8,1
	2 7/16	—	W8207X	8470	11.484	3.38	2.07	17.65	85,9	52,5	8,1
	2 1/2	—	W8208X	8470	11.484	3.38	2.07	17.52	85,9	52,5	8,1
	2 9/16	65	W8209X	8470	11.484	3.38	2.07	17.29	85,9	52,5	8,1
	2 5/8	—	W8210X	8470	11.484	3.34	2.20	17.50	84,8	56,0	8,1
	2 11/16	—	W8211X	8470	11.484	3.34	2.20	17.36	84,8	56,0	7,9
	2 3/4	70	W8212X	8470	11.484	3.34	2.20	17.12	84,8	56,0	7,9
	2 13/16	—	W8213X	8470	11.484	3.35	2.28	17.57	85,0	58,0	7,9
	2 7/8	—	W8214X	8470	11.484	3.35	2.28	17.38	85,0	58,0	7,9
	2 15/16	75	W8215X	8470	11.484	3.35	2.28	17.11	85,0	58,0	7,9
	3	—	W8300X	8470	11.484	3.52	2.38	17.77	89,5	60,5	8,0
	3 1/16	—	W8301X	8470	11.484	3.52	2.38	17.65	89,5	60,5	8,0
	3 1/8	80	W8302X	8470	11.484	3.52	2.38	17.33	89,5	60,5	8,0
	3 3/16	—	W8303X	8470	11.484	3.63	2.60	18.99	92,2	66,0	8,2
	3 1/4	—	W8304X	8470	11.484	3.63	2.60	18.72	92,2	66,0	8,2
	3 5/16	—	W8305X	8470	11.484	3.63	2.60	18.54	92,2	66,0	8,2
	—	85	W8085MX	8470	11.484	3.63	2.60	18.36	92,2	66,0	8,2
	3 3/8	—	W8306X	8470	11.484	3.63	2.60	18.36	92,2	66,0	8,2
	3 7/16	—	W8307IX	8470	11.484	3.63	2.60	18.11	92,2	66,0	8,2
	3 1/2	—	W8308X	8470	11.484	3.63	2.60	17.81	92,2	66,0	8,2
	—	90	W8090MX	8470	11.484	4.05	2.91	20.36	102,9	74,0	8,8
	3 9/16	—	W8309X	8470	11.484	4.05	2.91	20.36	102,9	74,0	8,8
	3 5/8	—	W8310X	8470	11.484	4.05	2.91	20.18	102,9	74,0	8,8
	3 11/16	—	W8311X	8470	11.484	4.05	2.91	19.93	102,9	74,0	8,8
3 3/4	95	W8312X	8470	11.484	4.05	2.91	19.71	102,9	74,0	8,8	
3 13/16	—	W8313X	8470	11.484	4.05	2.91	19.46	102,9	74,0	8,8	
3 7/8	—	W8314X	8470	11.484	4.05	2.91	19.10	102,9	74,0	8,8	
3 15/16	100	W8315X	8470	11.484	4.33	3.13	20.31	110,0	79,5	9,3	
4	—	W8400X	8470	11.484	4.33	3.13	20.04	110,0	79,5	9,3	
4 1/16	—	W8401IX	8470	11.484	4.33	3.13	19.80	110,0	79,5	9,3	
4 1/8	105	W8402X	8470	11.484	4.33	3.13	19.39	110,0	79,5	9,3	

¹⁾ See page 411 for table of hexagon sizes of bolts, nuts and related thread diameters.

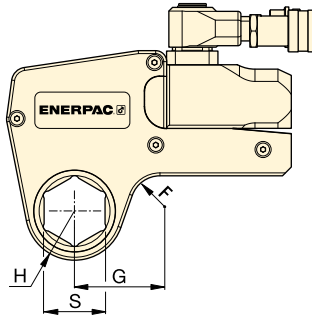
W15000-Series, Hexagon Cassettes



Optional Hexagon Reducers Inserts

Available upon request and made to order. Example: Model Nr. **W15312R302**

HEX REDUCER 3 3/4" (95MM) x 3 1/8" (80MM) A/F





W Series X-Edition



Hexagon Cassette Range:

27/8" - 45/8" / 65 - 115 mm

▼ SELECTION CHART HEXAGON CASSETTES

Drive Unit Model Number	Hexagon Size ¹⁾ S		Model Number Cassette	Maximum Torque at 690 bar (10.000 psi)		Dim.		Nose Radius 	Dim.		Nose Radius 
	(inch)	(mm)		(Ft.lbs)	(Nm)	G (inch)	H (inch)		(lbs)	G (mm)	
W15000PX	27/16	-	W15207X	15.330	20.785	3.49	2.32	30.72	88,6	59,0	13,6
	21/2	-	W15208X	15.330	20.785	3.49	2.32	30.72	88,6	59,0	13,6
	29/16	65	W15209X	15.330	20.785	3.49	2.32	30.72	88,6	59,0	13,6
	25/8	-	W15210X	15.330	20.785	3.49	2.32	30.72	88,6	59,0	13,6
	211/16	-	W15211X	15.330	20.785	3.49	2.32	30.72	88,6	59,0	13,6
	23/4	70	W15212X	15.330	20.785	3.49	2.32	30.72	88,6	59,0	13,6
	213/16	-	W15213X	15.330	20.785	3.56	2.44	30.62	90,5	62,0	13,7
	27/8	-	W15214X	15.330	20.785	3.56	2.44	30.39	90,5	62,0	13,7
	215/16	75	W15215X	15.330	20.785	3.56	2.44	30.08	90,5	62,0	13,7
	3	-	W15300X	15.330	20.785	3.66	2.54	30.86	92,9	64,5	13,8
	31/16	-	W15301X	15.330	20.785	3.66	2.54	30.71	92,9	64,5	13,8
	31/8	80	W15302X	15.330	20.785	3.66	2.54	30.34	92,9	64,5	13,8
	33/16	-	W15303X	15.330	20.785	3.80	2.74	32.38	96,6	69,5	14,1
	31/4	-	W15304X	15.330	20.785	3.80	2.74	32.07	96,6	69,5	14,1
	35/16	-	W15305X	15.330	20.785	3.80	2.74	31.85	96,6	69,5	14,1
	-	85	W15085MX	15.330	20.785	3.80	2.74	31.85	96,6	69,5	14,1
	33/8	-	W15306X	15.330	20.785	3.80	2.74	31.63	96,6	69,5	14,1
	37/16	-	W15307IX	15.330	20.785	3.80	2.74	31.32	96,6	69,5	14,1
	31/2	-	W15308X	15.330	20.785	3.80	2.74	30.98	96,6	69,5	14,1
	-	90	W15090MX	15.330	20.785	4.01	2.95	31.70	101,8	75,0	14,5
	39/16	-	W15309X	15.330	20.785	4.01	2.95	31.70	101,8	75,0	14,6
	35/8	-	W15310X	15.330	20.785	4.01	2.95	31.70	101,8	75,0	14,6
	311/16	-	W15311X	15.330	20.785	4.01	2.95	31.70	101,8	75,0	14,6
	33/4	95	W15312X	15.330	20.785	4.01	2.95	31.70	101,8	75,0	14,6
	313/16	-	W15313X	15.330	20.785	4.01	2.95	31.70	101,8	75,0	14,5
	37/8	-	W15314X	15.330	20.785	4.01	2.95	31.70	101,8	75,0	14,5
	315/16	100	W15315X	15.330	20.785	4.06	3.17	34.02	103,1	80,5	14,8
	4	-	W15400X	15.330	20.785	4.06	3.17	33.70	103,1	80,5	14,8
	41/16	-	W15401IX	15.330	20.785	4.06	3.17	33.41	103,1	80,5	14,8
	41/8	105	W15402X	15.330	20.785	4.06	3.17	33.09	103,1	80,5	14,8
	43/16	-	W15403IX	15.330	20.785	4.06	3.17	32.81	103,1	80,5	14,8
	41/4	-	W15404X	15.330	20.785	4.06	3.17	32.29	103,1	80,5	14,8
45/16	110	W15405X	15.330	20.785	4.52	3.44	35.61	114,8	87,5	15,1	
43/8	-	W15406X	15.330	20.785	4.52	3.44	35.32	114,8	87,5	15,1	
47/16	-	W15407X	15.330	20.785	4.52	3.44	34.99	114,8	87,5	15,1	
41/2	-	W15408IX	15.330	20.785	4.52	3.44	34.63	114,8	87,5	15,1	
-	115	W15115MX	15.330	20.785	4.52	3.44	34.63	114,8	87,5	15,1	
49/16	-	W15409IX	15.330	20.785	4.52	3.44	34.28	114,8	87,5	15,1	
45/8	-	W15410IX	15.330	20.785	4.52	3.44	33.72	114,8	87,5	15,1	

¹⁾ See page 411 for table of hexagon sizes of bolts, nuts and related thread diameters.

W22000-Series, Hexagon Cassettes

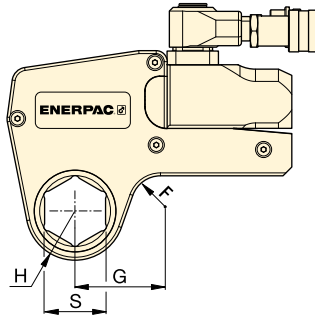
ENERPAC 



Optional Hexagon Reducers Inserts

Available upon request and made to order. Example: Model Nr. **W22312R215**

HEX REDUCER 3 3/4" (95MM) x 2 15/16" (75MM) A/F






W Series X-Edition



Hexagon Cassette Range:

2¹⁵/₁₆" - 5³/₈" / 75 - 135 mm

▼ SELECTION CHART HEXAGON CASSETTES

Drive Unit Model Number	Hexagon Size ¹⁾ S		Model Number Cassette	Maximum Torque at 690 bar (10.000 psi)		Dim. G (inch)	Nose Radius H (inch)	 (lbs)	Dim. G (mm)	Nose Radius H (mm)	 (kg)
	(inch)	(mm)		(Ft.lbs)	(Nm)						
	2 ¹⁵ / ₁₆	75	W22215X	22.500	30.506	4.02	2.64	48.72	102,1	67,0	22,1
	3	-	W22300X	22.500	30.506	4.02	2.64	48.40	102,1	67,0	22,0
	3 ¹ / ₁₆	-	W22301X	22.500	30.506	4.02	2.64	48.22	102,1	67,0	21,9
	3 ¹ / ₈	80	W22302X	22.500	30.506	4.02	2.64	47.78	102,1	67,0	21,6
	3 ³ / ₁₆	-	W22303X	22.500	30.506	4.23	2.85	50.58	107,4	72,4	22,9
	3 ¹ / ₄	-	W22304X	22.500	30.506	4.23	2.85	50.19	107,4	72,4	22,8
	3 ⁵ / ₁₆	-	W22305X	22.500	30.506	4.23	2.85	49.92	107,4	72,4	22,6
	-	85	W22085MX	22.500	30.506	4.23	2.85	49.66	107,4	72,4	22,5
	3 ³ / ₈	-	W22306X	22.500	30.506	4.23	2.85	49.66	107,4	72,4	22,5
	3 ⁷ / ₁₆	-	W22307IX	22.500	30.506	4.23	2.85	50.29	107,4	72,4	22,8
	3 ¹ / ₂	-	W22308X	22.500	30.506	4.23	2.85	48.87	107,4	72,4	22,2
	-	90	W22090MX	22.500	30.506	4.45	3.07	51.58	113,0	77,9	23,4
	3 ⁹ / ₁₆	-	W22309X	22.500	30.506	4.45	3.07	51.58	113,0	77,9	23,4
	3 ⁵ / ₈	-	W22310X	22.500	30.506	4.45	3.07	51.30	113,0	77,9	23,3
	3 ¹¹ / ₁₆	-	W22311X	22.500	30.506	4.45	3.07	50.93	113,0	77,9	23,1
	3 ³ / ₄	95	W22312X	22.500	30.506	4.45	3.07	50.62	113,0	77,9	22,9
	3 ¹³ / ₁₆	-	W22313X	22.500	30.506	4.45	3.07	50.24	113,0	77,9	22,8
	3 ⁷ / ₈	-	W22314X	22.500	30.506	4.45	3.07	49.77	113,0	77,9	22,6
	3 ¹⁵ / ₁₆	100	W22315X	22.500	30.506	4.72	3.35	53.57	119,9	85,1	24,3
	4	-	W22400X	22.500	30.506	4.72	3.35	53.19	119,9	85,1	24,1
	4 ¹ / ₁₆	-	W22401IX	22.500	30.506	4.72	3.35	52.82	119,9	85,1	24,0
	4 ¹ / ₈	105	W22402X	22.500	30.506	4.72	3.35	52.43	119,9	85,1	23,6
	4 ³ / ₁₆	-	W22403IX	22.500	30.506	4.72	3.35	52.09	119,9	85,1	23,6
	4 ¹ / ₄	-	W22404X	22.500	30.506	4.72	3.35	51.48	119,9	85,1	24,6
	4 ⁵ / ₁₆	110	W22405X	22.500	30.506	4.92	3.54	54.26	125,0	89,9	24,6
	4 ³ / ₈	-	W22406X	22.500	30.506	4.92	3.54	53.91	125,0	89,9	24,5
	4 ⁷ / ₁₆	-	W22407X	22.500	30.506	4.92	3.54	53.50	125,0	89,9	24,3
	4 ¹ / ₂	-	W22408IX	22.500	30.506	4.92	3.54	53.06	125,0	89,9	24,1
	-	115	W22115MX	22.500	30.506	4.92	3.54	53.06	125,0	89,9	24,1
	4 ⁹ / ₁₆	-	W22409IX	22.500	30.506	4.92	3.54	52.64	125,0	89,9	23,9
	4 ⁵ / ₈	-	W22410IX	22.500	30.506	4.92	3.54	51.99	125,0	89,9	23,6
	4 ³ / ₄	120	W22412X	22.500	30.506	5.12	3.74	54.54	130,0	95,0	24,7
-	123	W22123MX	22.500	30.506	5.12	3.74	53.80	130,0	95,0	24,4	
4 ⁷ / ₈	-	W22414X	22.500	30.506	5.12	3.74	53.60	130,0	95,0	24,3	
5	-	W22500X	22.500	30.506	5.12	3.74	52.37	130,0	95,0	23,8	
5 ¹ / ₈	130	W22502X	22.500	30.506	5.31	3.94	55.10	134,8	100,0	25,0	
5 ³ / ₁₆	-	W22503IX	22.500	30.506	5.31	3.94	54.71	134,8	100,0	24,8	
5 ¹ / ₄	-	W22504IX	22.500	30.506	5.31	3.94	54.05	134,8	100,0	24,5	
5 ³ / ₈	135	W22506X	22.500	30.506	5.31	3.94	52.77	134,8	100,0	23,9	

¹⁾ See page 411 for table of hexagon sizes of bolts, nuts and related thread diameters.

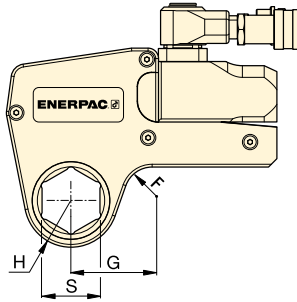
W35000-Series, Hexagon Cassettes



Optional Hexagon Reducers Inserts

Available upon request and made to order.
Example: Model Nr. **W35502R402**

HEX REDUCER 5-1/8" (130MM) x 4-1/8" (105MM) A/F



W
Series
X-Edition



Hexagon Cassette Range:

3 1/8" - 6 1/8" / 80 - 155 mm

▼ SELECTION CHART HEXAGON CASSETTES

Drive Unit Model Number	Hexagon Size ¹⁾ S		Model Number Cassette	Maximum Torque at 690 bar (10.000 psi)		Dim.		Nose Radius	Dim.		Nose Radius
	(inch)	(mm)		(Ft.lbs)	(Nm)	G (inch)	H (inch)	(lbs)	G (mm)	H (mm)	(kg)
W35000PX	3 1/8	80	W35302X	35.000	47.454	4.99	3.02	72.30	126,8	76,0	32,8
	3 3/16	-	W35303X	35.000	47.454	4.99	3.02	72.10	126,8	76,0	32,7
	3 1/4	-	W35304X	35.000	47.454	4.99	3.02	71.70	126,8	76,0	32,5
	3 5/16	-	W35305X	35.000	47.454	4.99	3.02	71.40	126,8	76,0	32,4
	-	85	W35085MX	35.000	47.454	5.08	3.02	71.22	129,0	76,0	32,3
	3 3/8	-	W35306X	35.000	47.454	4.99	3.02	71.00	126,8	76,0	32,2
	3 7/16	-	W35307IX	35.000	47.454	4.99	3.02	70.50	126,8	76,0	32,0
	3 1/2	-	W35308X	35.000	47.454	4.99	3.02	70.10	126,8	76,0	31,8
	-	90	W35090MX	35.000	47.454	5.31	3.23	73.87	135,0	81,5	33,5
	3 9/16	-	W35309X	35.000	47.454	5.22	3.23	71.40	132,5	81,5	32,4
	3 5/8	-	W35310X	35.000	47.454	5.22	3.23	73.40	132,5	81,5	33,3
	3 11/16	-	W35311X	35.000	47.454	5.22	3.23	73.00	132,5	81,5	33,1
	3 3/4	95	W35312X	35.000	47.454	5.22	3.23	72.50	132,5	81,5	32,9
	3 13/16	-	W35313X	35.000	47.454	5.22	3.23	72.10	132,5	81,5	32,7
	3 7/8	-	W35314X	35.000	47.454	5.22	3.23	71.40	132,5	81,5	32,4
	3 15/16	100	W35315X	35.000	47.454	5.39	3.45	70.80	137,0	87,0	34,1
	4	-	W35400X	35.000	47.454	5.39	3.45	74.70	137,0	87,0	33,9
	4 1/16	-	W35401IX	35.000	47.454	5.39	3.45	74.30	137,0	87,0	33,7
	4 1/8	105	W35402X	35.000	47.454	5.39	3.45	73.90	137,0	87,0	33,5
	4 3/16	-	W35403IX	35.000	47.454	5.39	3.45	73.40	137,0	87,0	33,3
	4 1/4	-	W35404X	35.000	47.454	5.39	3.45	72.80	137,0	87,0	33,0
	4 5/16	110	W35405X	35.000	47.454	5.63	3.69	76.90	143,0	93,0	34,9
	4 3/8	-	W35406X	35.000	47.454	5.63	3.69	76.50	143,0	93,0	34,7
	4 7/16	-	W35407X	35.000	47.454	5.63	3.69	76.10	143,0	93,0	34,5
	4 1/2	-	W35408IX	35.000	47.454	5.63	3.69	75.60	143,0	93,0	34,3
	-	115	W35115MX	35.000	47.454	5.75	3.69	75.41	146,0	93,0	34,2
	4 9/16	-	W35409IX	35.000	47.454	5.63	3.69	75.20	143,0	93,0	34,1
	4 5/8	-	W35410IX	35.000	47.454	5.63	3.69	74.50	143,0	93,0	33,7
	4 3/4	120	W35412X	35.000	47.454	5.85	3.91	78.50	148,5	98,5	35,6
	-	123	W35123MX	35.000	47.454	6.02	3.94	77.18	153,0	100,0	35,0
	4 7/8	-	W35414X	35.000	47.454	5.85	3.91	76.90	148,5	98,5	34,9
	5	-	W35500X	35.000	47.454	5.85	3.91	75.60	148,5	98,5	34,3
	5 1/8	130	W35502X	35.000	47.454	6.02	4.09	78.90	153,0	103,0	35,8
	5 3/16	-	W35503IX	35.000	47.454	6.02	4.09	78.50	153,0	103,0	35,6
	5 1/4	-	W35504IX	35.000	47.454	6.02	4.09	77.60	153,0	103,0	35,2
	5 3/8	135	W35506X	35.000	47.454	6.02	4.09	76.30	153,0	103,0	34,6
	5 1/2	140	W35508X	35.000	47.454	6.24	4.31	79.80	158,5	108,5	36,2
	5 9/16	-	W35509X	35.000	47.454	6.24	4.31	79.40	158,5	108,5	36,0
	5 5/8	-	W35510X	35.000	47.454	6.24	4.31	78.50	158,5	108,5	35,6
	5 3/4	145	W35512X	35.000	47.454	6.24	4.31	76.90	164,0	108,5	34,9
5 7/8	150	W35514X	35.000	47.454	6.46	4.52	80.90	164,0	114,0	36,7	
-	151	W35151MX	35.000	47.454	6.46	4.52	80.48	164,0	114,0	36,5	
6	-	W35600X	35.000	47.454	6.46	4.52	79.60	164,0	114,0	36,1	
6 1/8	155	W35602X	35.000	47.454	6.46	4.52	77.80	164,0	114,0	35,3	

¹⁾ See page 411 for table of hexagon sizes of bolts, nuts and related thread diameters.

▼ W4206SL UltraSlim bi-hexagonal stepped width cassette with W4000X drive unit



Versatility

- Lean, stepped width design allows tool to be mounted over bolts where other tools won't fit
- Bi-Hexagonal cassette allows twice as many positioning points on nut or bolt
- Robust top mounted handle stays out of the way, providing safe fastening in hard to reach areas
- Uses same drive unit as standard W-series hexagon cassettes.

Performance

- Premium components provide best-in-class endurance compared to other limited access tools.

Ease of Use

- Few moving parts are easily accessible for quick field maintenance
- Fast release drive unit enables rapid exchange of cassettes, no tools required
- Top mounted straight handle for improved tool handling and safety.

Accuracy

- Constant torque output provides accuracy of $\pm 3\%$ across the full stroke

CE - ATEX declared

- All W-Series X-edition drive units are CE - ATEX declared.
- All UltraSlim Series cassettes are CE - ATEX declared and are shipped complete with a calibration certificate.

Slim enough to fit and tough enough to last. This UltraSlim wrench is the perfect controlled bolting solution for this oil and gas flange. ▶

Your easy and long lasting solution to difficult access bolting applications



UltraSlim: Designed for Tight Spots

Stepped width design provides easy access in confined areas. UltraSlim cassettes fit where standard solutions won't.



Built to Outperform

High endurance components keep working when others fail.



Top Mounted Straight Handle

The top mounted straight handle is standard and provides safe and easy positioning and access to hard to reach fasteners.

Straight handle (standard)

SWH6S

Angled handle (optional)

SWH6A



Torque Pump Selection Matrix

System matched battery-powered cordless, electric and air-driven torque pumps that are ideal for use with hydraulic wrenches.

Page: 273



UltraSlim Bi-Hexagonal Cassettes

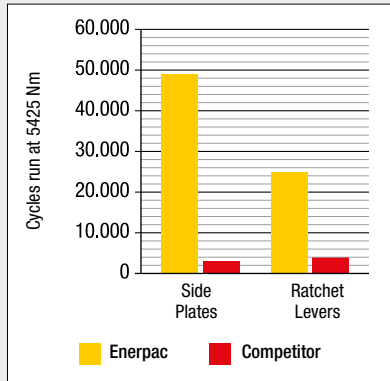


UltraSlim Cassettes

Accessing narrow spaces normally requires significantly reducing the width of the torque wrench. For the tool operator, this has always meant vastly reduced tool durability, and/or reduced torque output.

By using the highest grade materials, perfecting the geometry, and placing the positioning handle on top of the tool for safe fastening, Enerpac UltraSlim cassettes are able to provide greater torque, get into tighter spaces, and vastly outperform the competition in product durability*.

Durability of Key Components *



* Average test results, whereby three Enerpac 46 mm UltraSlim cassettes and three competitor 46 mm cassettes were tested at 5425 Nm for 50.000 cycles. The Enerpac side plates never broke for the full duration of the test.

W-SL Series UltraSlim



Nominal Torque Output:
5911 Nm / 4360 Ft.lbs

Bi-Hexagonal Range:
46 - 75 mm / 1¹³/₁₆ - 2¹⁵/₁₆"

Maximum Operating Pressure:
690 bar / 10.000 psi

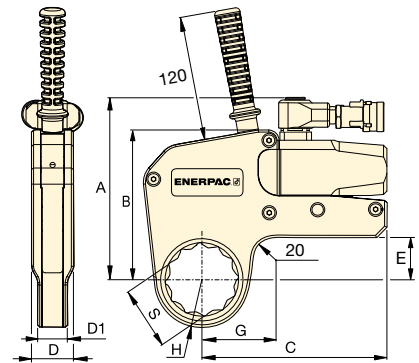


Torque Wrench Hoses

Use Enerpac THQ700-Series hoses with W-Series torque wrenches to ensure the integrity of your hydraulic system.

Page: 255

	Dimensions (inch)						Dimensions (mm)					
	A	B	C	D	D1	E	A	B	C	D	D1	E
W2...-SL	5.54	4.30	5.81	1.28	1.00	0.94	140,7	109,3	147,7	32,4	25,4	24,0
W4...-SL	6.91	5.69	7.03	1.59	1.13	1.61	175,6	144,5	178,5	40,5	28,6	40,8



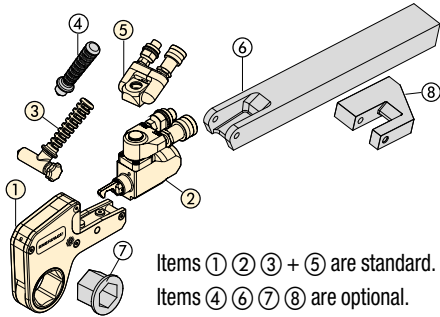
SELECTION CHART

Hexagonal Size (A/F) S		Nominal Torque @ 690 bar (10.000 psi)		UltraSlim Cassette * Model Nr.	Minimum Torque @ 69 bar (1000 psi)		Dimensions (inch)		Drive Unit Model Nr. ** (sold separately)
(inch)	(mm)	(Ft.lbs)	(Nm)		(Ft.lbs)	(Nm)	G	H	
1 ¹³ / ₁₆	46	1980	2685	W2113SL	200	269	2.35	1.44	W2000PX
2	50	1980	2685	W2200SL	200	269	2.40	1.52	
2 ³ / ₁₆	55	1980	2685	W2203SL	200	269	2.49	1.63	
2 ³ / ₈	60	1980	2685	W2206SL	200	269	2.56	1.75	
1 ¹³ / ₁₆	46	4360	5911	W4113SL	430	591	2.65	1.56	W4000PX
2 ³ / ₁₆	55	4360	5911	W4203SL	430	591	2.70	1.73	
2 ³ / ₈	60	4360	5911	W4206SL	430	591	2.82	1.89	
2 ⁹ / ₁₆	65	4360	5911	W4209SL	430	591	2.92	1.99	
2 ³ / ₄	70	4360	5911	W4212SL	430	591	2.98	2.11	
2 ¹⁵ / ₁₆	75	4360	5911	W4215SL	430	591	2.99	2.20	

* Bi-Hexagonal Cassette includes top mounted straight handle.

** Cassette may also be used with W2000X or W4000X drive units.

Weight of drive units: W2000PX = 1,4 kg (3,1 lbs); W4000PX = 2,0 kg (4,4 lbs).



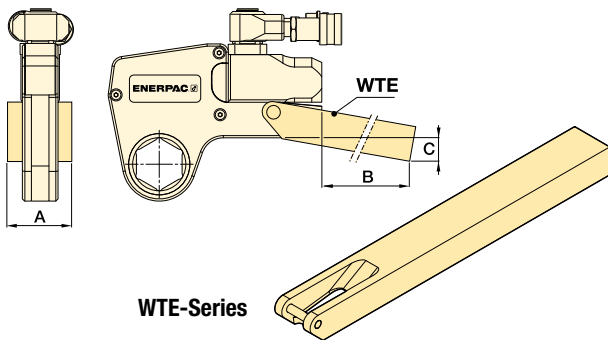
- ① Hexagon Cassette (pages 230-237)
- ② Drive Unit (page 229)
- ③ Angled Positioning Handle (page 228)
- ④ Straight Positioning Handle (page 228)
- ⑤ TSP300 Tilt & Swivel (page 228)
- ⑥ Extended Reaction Arm (page 238)
- ⑦ Reducer Insert (pages 230-237)
- ⑧ Reaction Paddle (page 238)

Items ① ② ③ + ⑤ are standard.
Items ④ ⑥ ⑦ ⑧ are optional.

WTE WRP Series



WTE-Series, Extended Reaction Arm

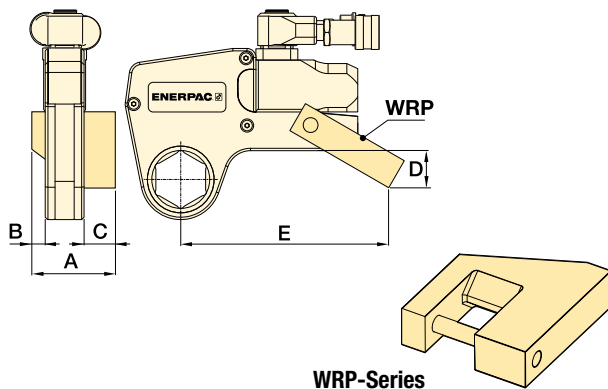


- Full torque rated
- Increases tool fit in restricted access areas.

For Torque Wrench Model Number	Model Number	Dimensions (mm)			(kg) *
		A	B	C	
W2000PX	WTE20	56	398	76	2,6
W4000PX	WTE40	66	436	74	4,6
W8000PX	WTE80	85	449	55	7,6
W15000PX	WTE150	102	498	72	12,0
W22000PX	WTE220	114	524	77	17,3
W35000PX	WTE350	127	419	133	17,8

* Weights indicated are for the accessories only and do not include the wrench.

WRP-Series, Low-Profile Reaction Paddles



- Lightweight interchangeable design
- Allows for offset reaction when in-line reaction is not available.

For Torque Wrench Model Nr.	Model Number	Dimensions (mm)					(kg) *
		A	B	C	D	E	
W2000PX	WRP20	84	16	35	45	148	0,4
W4000PX	WRP40	109	21	47	59	190	0,8
W8000PX	WRP80	137	26	57	69	223	2,0
W15000PX	WRP150	165	32	69	87	257	3,9
W22000PX	WRP220	207	37	91	134	317	7,2
W35000PX	WRP350	225	42	91	182	367	10,6

* Weights indicated are for the accessories only and do not include the wrench.